

Read Me: Table Relationship Diagram

LEDGEND

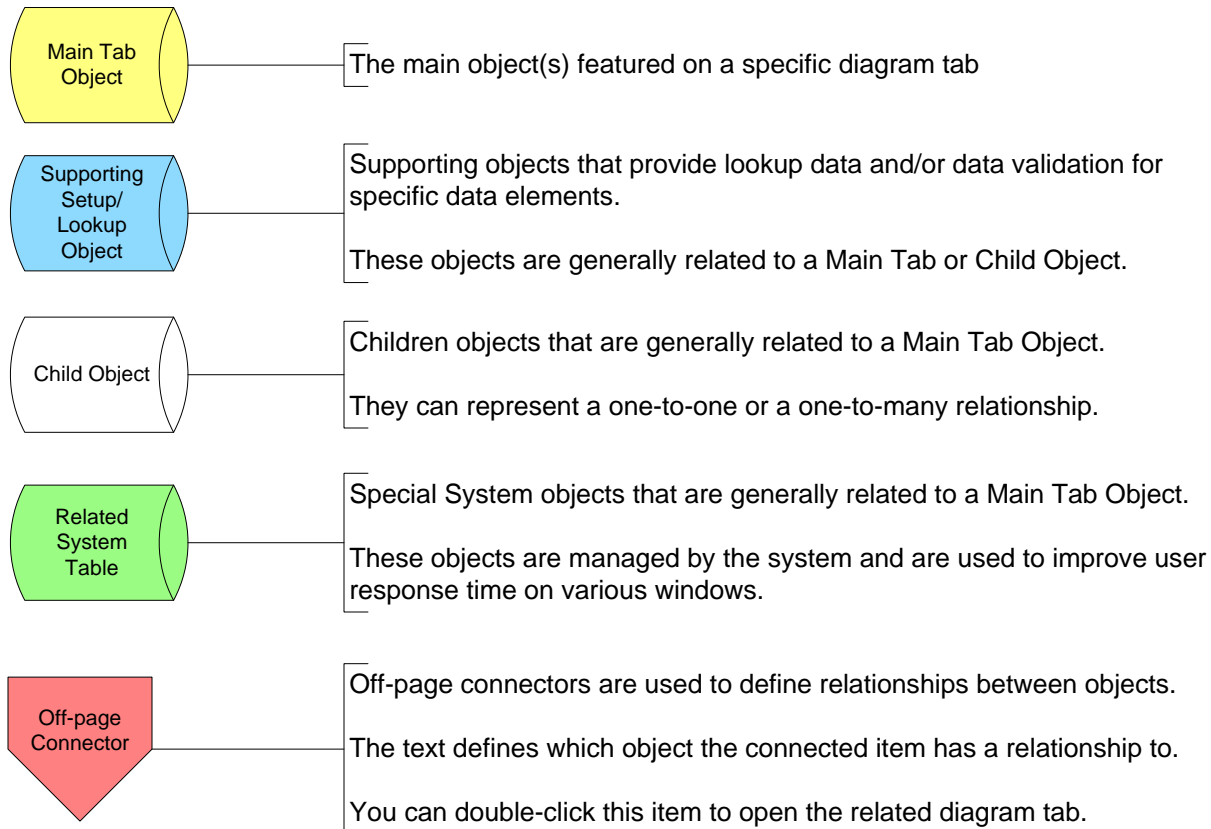
Index Tab:

This tab contains the main high level relationship diagram. From this tab you can double-click on any object to open the related diagram tab.

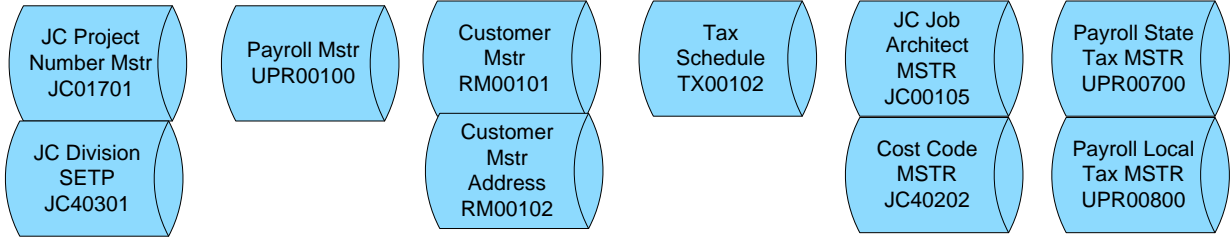
Tasking Tab:

This is the only tab that doesn't follow the following Flowchart Shapes definitions at this time.

Flowchart Shapes (for all tabs except the Index and Tasking tabs) :

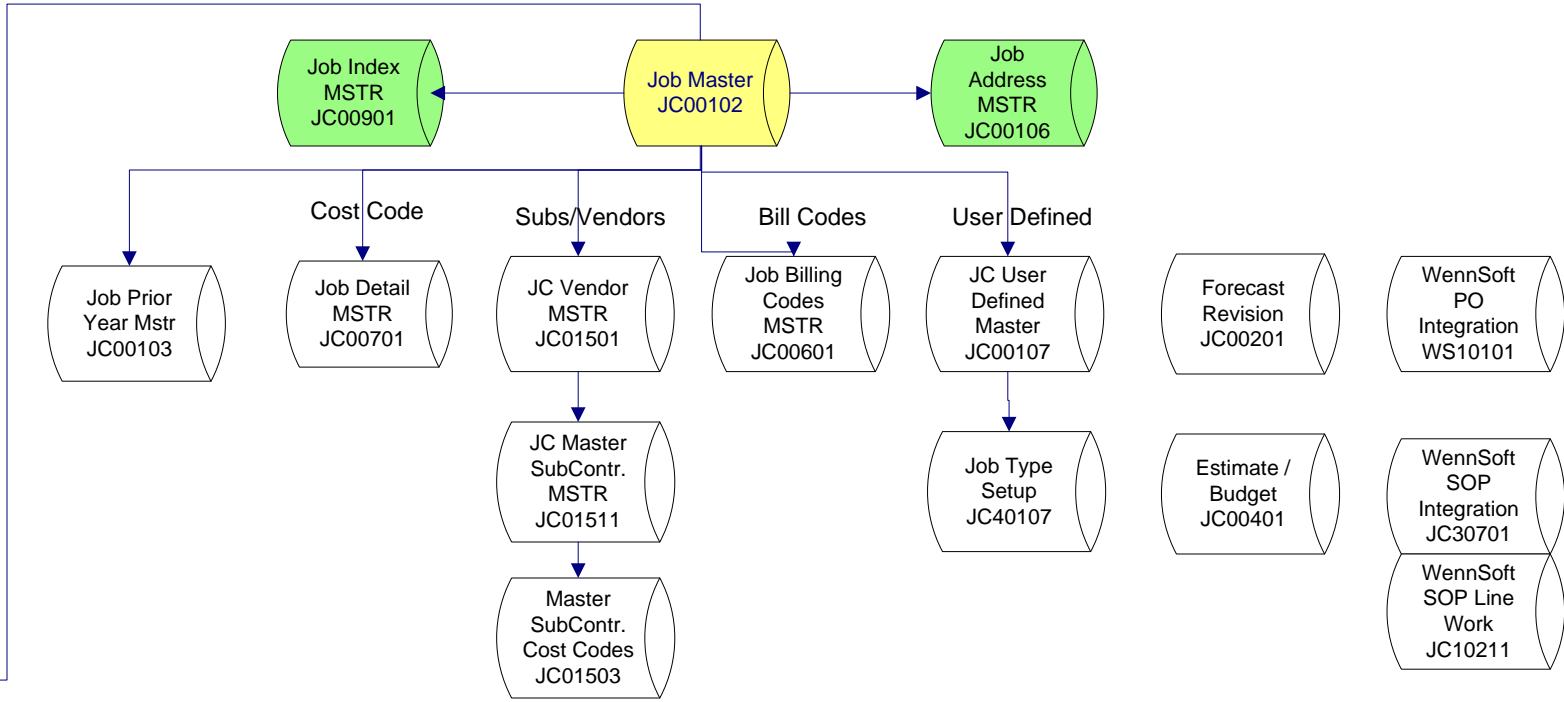
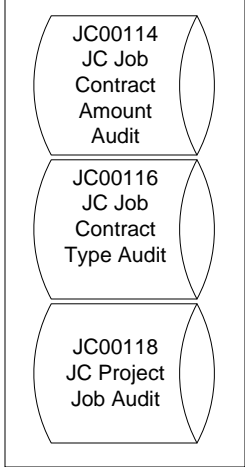


Job Cost Job Maintenance



Contract Type
 1=Fixed Amount
 2=Cost Plus(T&M)
 3=Cost Plus NTE*
 *NTE=T&M Not to exceed

Billing Type
 1=Standard
 2=User Defined
 3=Cost Code
 4=Transaction Level
 5=Project Standard Billing
 6=SOP
 7=Project Bill Code
 8=Project Trx Level
 9=Project Allocated Revenue



Job Cost Job Status

Inquiry Job Status provides a "birds eye" view of the job in real time. Most of the information is in the Job Master table.

The buttons at the bottom of the window show data from the tables/view/temp table as described below

